



# Hispec<sup>®</sup> HI6000

High Temperature Pressure Transmitter



- High ambient temperatures up to 150°C
- Silicon-on-Sapphire sensor technology or outstanding performance
- Pressure ranges up to 1,500 bar
- Titanium wetted parts for excellent chemical compatibility
- High thermal stability over wide temperature range
- High accuracy version available
- Compact design



Vers. 20/1/Eng



## Description

The HI6000 High Temperature Pressure Transmitter Series performs at constant media and ambient temperatures of up to 135°C and for limited periods up to 150°C. Constructed from Titanium Alloy the unit offers a pressure range of up to 1,500 bar, as well as excellent chemical compatibility and a proven reliability within high temperature environments.

The unique Silicon-on-Sapphire sensor technology provides outstanding performance and gives excellent stability over a wide temperature range.

With a compensated temperature range from -25°C to +135°C, a range of outputs and pressure ranges are available as well as a High Accuracy option, it is our most flexible high temperature product.

Due to its versatility and high thermal stability, popular applications for the HI6000 include Automotive, Industrial, Aviation and Aerospace.

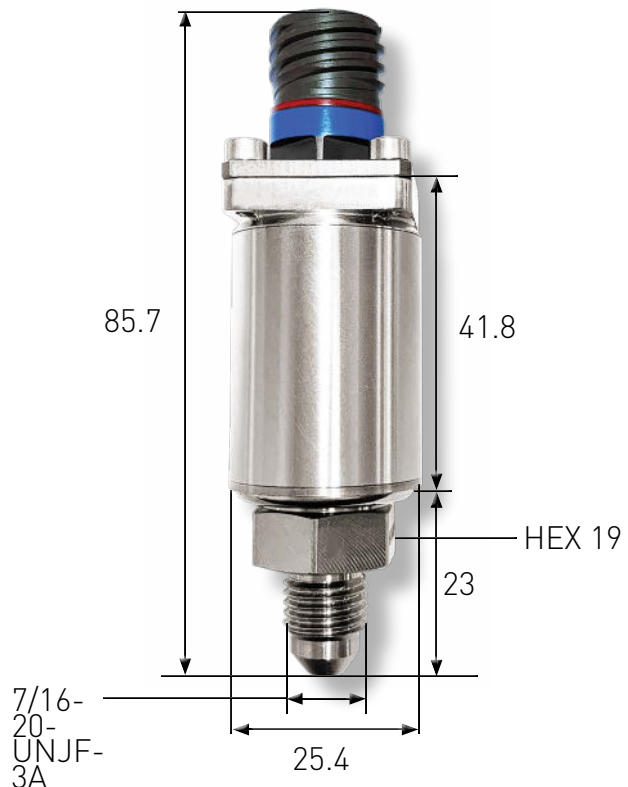
## Dimensions (in mm)

### ELECTRICAL CONNECTION (mA)

Pin No.	2 wire
1	+supply
2	4-20mA signal
3	N/C
4	N/C

### ELECTRICAL CONNECTION (Vdc)

Pin No.	4 wire	3 wire
1	+Supply	+ Supply
2	+output	+output
3	-output	N/C
4	-Supply	-Supply



## Technical Data

Type:	HI6xx0	HI6xx1	HI6xx2	HI6xx3
Sensor Technology:	Silicon-on-Sapphire			
Output Signal:	0.5 - 4.5 V ratiometric (4 wire)	0 - 5 V (4 or 3 wire)	0 - 10 V (4 or 3 wire)	4-20 mA (2 wire)
Supply Voltage:	4.8 - 5.5 VDC	10 - 32 VDC	12 - 32 VDC	10 - 36 VDC
Pressure Reference:	Gauge			
Protection of Supply Voltage:	Reverse polarity, overvoltage up to 36VDC			
Standard Pressure Ranges (bar):	0 -1 bar Vac; 0-0.5 bar; 0-1 bar; 0-2.5 bar; 0-6 bar; 0-10 bar; 0-16 bar; 0-25 bar; 0-100 bar; 0-250 bar; 0-400 bar; 0-600 bar; 0-1,000 bar; 0-1,500 bar (other ranges available)			
Standard Pressure Ranges (psi):	0-30 in Hg; 0-7.5 psi; 0-15 psi; 0-30 psi; 0-100 psi; 0-150 psi; 0-200 psi; 0-300 psi; 0-1,500 psi; 0-3,000 psi; 0-6,000 psi; 0-8,700 psi; 0-15,000 psi; 0-20,000 psi (other ranges available)			
Overpressure Safety:	2x for up to 600bar ranges, 1.5 for up to 1000bar, 1.1 for 1500bar range			
Load Driving Capability:	≥ 4.5k	≥ 5k	≥ 10k	RL < [UB - 10 V] / 20 mA (e.g. with supply voltage (UB) of 36 V, max. load (RL) is 1300 Ω)
Accuracy NLHR:	≤ ±0.25 % of span BFSL (Optional higher accuracy version of ≤ ±0.1 % of span BFSL available*)			
Zero Offset and Span Tolerance:	±0.02 V at room temperature			
Operating Ambient Temperature:	-40°C to +135°C, up to +150°C for 10 minutes on rare occasions. Compensated temperature range -25 to 135°C			
Operating Media Temperature:	-40 °C to 135 °C (-40 °F to +275 °F)			
Storage Temperature:	+5 °C to +40 °C (+41 °F to +104 °F) Recommended Best Practice			
Temperature Effects:	Cumulative error < ±0.5%FS (TEB)			
Electromagnetic Compatibility:	EN61000-6-2; EN61000-4-2: Electrostatic discharge: contact ±4kV, air ± 8kV; EN61000-4-4: Fast Transients ± 4kV signal port; EN61000-4-5: Surges ±0.5kV Line to Line; EN 61000-4-6: Disturbances 10V eff 0.15MHz - 80MHz. Certification: CE marked			
Insulation Resistance:	> 100 MΩ @ 50 VDC			
Wetted Parts:	Titanium alloy measurement cell and wetted parts			
Pressure Media:	All fluids compatible with titanium alloy			
Pressure Connection:	AS4395B-E04 (7/16-20 UNJF- 3A) other options available			
Electrical Connection:	MIL-DTL-D38999 SERIES III; shell size 9, 6 pin, pattern 35 or PTFE insulated flying lead, conductor size 7/0.1 mm (other options available)			
Net. Weight (Kg):	0.1kg			

\* At room temperature

## Order Matrix

Output	Electrical Connection	Wires	Type	Options	Pressure Range	Process Connection			
0.5-4.5 V ratiometric	Cable outlet 1m screened IP67 protection	3	HI6000						
	D38999 6 pin connector	3	HI6010						
0-5 V	Cable outlet 1m screened IP67 protection	4	HI6001						
	D38999 6 pin connector	4	HI6011						
	Cable outlet 1m screened IP67 protection	3	HI6301						
	D38999 6 pin connector	3	HI6311						
0-10 V	Cable outlet 1m screened IP67 protection	4	HI6002						
	D38999 6 pin connector	4	HI6012						
	Cable outlet 1m screened IP67 protection	3	HI6302						
	D38999 6 pin connector	3	HI6312						
4-20 mA	Cable outlet 1m screened IP67 protection	2	HI6003						
	D38999 6 pin connector	2	HI6013						
<b>Options</b>									
No special options							-		
<b>Pressure Range in bar</b>									
0-1 bar Vac					V001				
0-0.5 bar					00.5				
0-1 bar					0001				
0- 2.5 bar					02.5				
0-6 bar					0006				
0-10 bar					0010				
0- 16 bar					0016				
0-25 bar					0025				
0-100 bar					0100				
0-250 bar					0250				
0-400 bar					0400				
0-600 bar					0600				
0-1,000 bar					1000				
0-1,500 bar					1500				
<b>Process Connection</b>									
AS4395B-E04 (7/16-20 UNJF- 3A)						FN			

**Order Number Example**

HI6000-1500FN

For options not listed please contact the sales team

**DISCLAIMER :** ESI Technology Ltd operates a policy of continuous product development. We reserve the right to change specification without prior notice. All products manufactured by ESI Technology Ltd are calibrated using precision calibration equipment, traceable to national measurement standards.