

HT 4060 High temperature thermocouple up to 1800°C

Protection tube

Construction	Gastight ceramic
Insertion length "L"	Customer to specify
Diameter	24x3.0mm
Material	Gastight Ceramic 710 (C799) 99.7% Aluminium oxide
Temperature	1800°C maximum (0.5mm wires type B) 1600°C maximum (0.35mm type B wires or 0.5mm wires type R/S) 1350°C maximum (0.35mm wires type R and S)
Process connection	Sliding flange model MFA-C (showed), other executions possible for example a welded ANSI or DIN flange

Inner tube (optional)

Material	Gastight ceramic 710 (C799) or Sapphire
----------	---

Connection head

Model	Type A (showed), other connectionheads possible
Material	Aluminium or Stainless Steel
Cable entry	M20x1.5 standard, other threads possible

Head extention

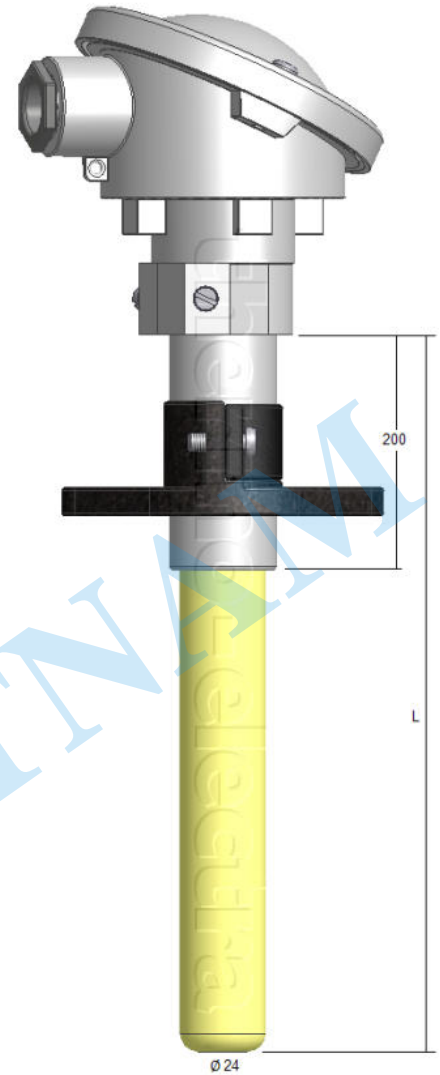
Material	Steel standard, other materials possible
Length	200mm standard, other lengths possible
Diameter	32mm standard, other diameters possible

Measuring insert

Insulation	Ceramic insulation rod
Calibration	B, R or S
For duplex	BB, RR or SS
Wire size	0.35mm or 0.5mm
Accuracy	According to IEC 60584-1

Options

Transmitter 4-20 mA	Please select from transmitter chapter
Innertube	Ceramic 710 or Sapphire

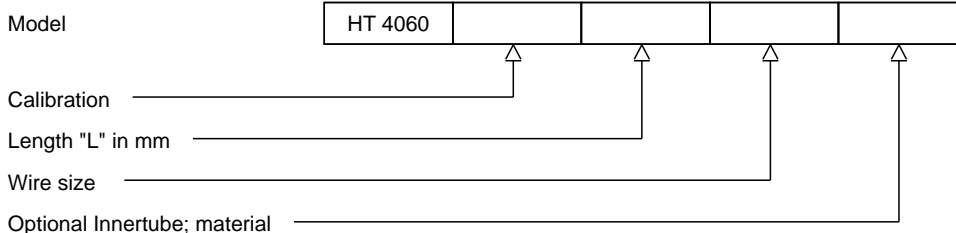


Thermokoppel kleurcodes

Toleranties volgens IEC 584-2

Thermocouple Extension Type	ANSI	IEC	Type	Class	Temperature range	Fixed value °C	Tolerance to temp. t (°C)
JX + Iron - Constantan ®			T	1	- 40°C to + 350°C	± 0,5	± 0,004 · t
				2	- 40°C to + 350°C	± 1	± 0,0075 · t
				3	- 200°C to + 40°C	± 1	± 0,015 · t
KX + Chromel ® - Alumel ®			E	1	- 40°C to + 800°C	± 1,5	± 0,004 · t
				2	- 40°C to + 900°C	± 2,5	± 0,0075 · t
				3	- 200°C to + 40°C	± 2,5	± 0,015 · t
TX + Copper - Constantan ®			J	1	- 40°C to + 750°C	± 1,5	± 0,004 · t
				2	- 40°C to + 750°C	± 2,5	± 0,0075 · t
				3	-	-	-
EX + Chromel ® - Constantan ®			K and N	1	- 40°C to + 1000°C	± 1,5	± 0,004 · t
				2	- 40°C to + 1200°C	± 2,5	± 0,0075 · t
				3	- 200°C to + 40°C	± 2,5	± 0,015 · t
NX + Nicrosil ® - Nisil ®			R and S	1	0°C to + 1600°C	± 1,0	± [1+0,003·(t-1100)]°C
				2	0°C to + 1600°C	± 1,5	± 0,0025 ·t
				3	-	-	-
SX + Copper RX - Alloy 11			B	1	-	-	-
				2	+ 600°C to + 1700°C	± 1,5	± 0,0025 ·t
				3	+ 600°C to + 1700°C	± 4	± 0,005 ·t

Ordering code



H4-1 Rev. 07/07



thermo-electra
temperature sensor solutions

Thermo Electra B.V.
Weteringweg 10
2641KM Pijnacker
The Netherlands

Phone +31 (0)15 - 3621200
Fax +31 (0)15 - 3694082
Email sales@thermo-electra.com
http://www.thermo-electra.com

