

W e . s u p p o r t . t h e
i n n o v a t i o n s . o f . c u s t o m e r s

Leak - Proof Flow & Control Solution Partner

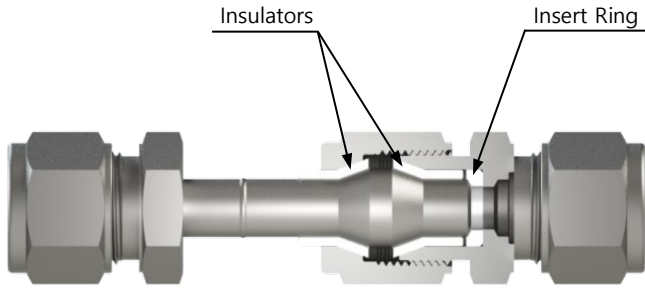
The Best Partner
for Value Creation

S-LOK[®]

HanSun

한선엔지니어링(주)
HANSUN ENGINEERING CO., LTD.





- Dielectric fittings are designed to isolate monitoring and control instruments and equipment from electrical current and voltages.
- The fitting design is unique in that it separates the two primary functions of electrical insulation and fluid containment.
- Metal components are machined from 316 stainless steel for use in rugged environments.
- Typical applications for dielectric fittings are on impulse lines in natural gas pipeline monitoring stations.
- Gaugeable S-LOK tube fittings or tapered pipe thread end connections provide direct connection to tubing or piping system.

Technical Data & Dimensions

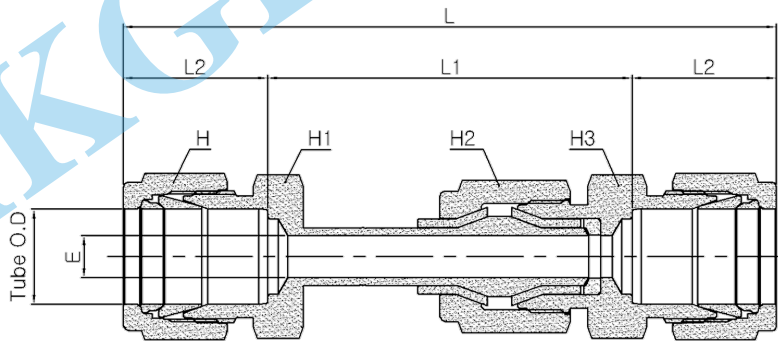
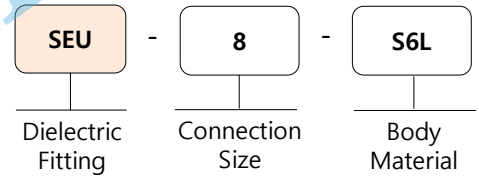
- Electrical resistance of insulators at 70°F (20°C): 10 x 10⁶ at 10V (dc)
- Pressure Rating : 5,000psig (344 barg)
- Temperature Rating : -40 to 200°F (-40 to 93°C)

Material Standards

- Body : 316 Stainless steel
- Insulator : PEEK
- Insert Ring : PTFE

Ordering Information and Dimension

- Connection Size
 - 4 : 1/4"
 - 6 : 3/8"
 - 8 : 1/2"
 - 12 : 3/4"



Basic Ordering Number	Tube O.D	Thread (NPT)	Dimension, mm				Dimension, inch			
			E	L	L1	L2	H	H1	H2	H3
SEU-4	1/4	-	4.8	95.8	65.3	15.25	9/16	1/2	7/8	13/16
SEU-6	3/8	-	7.1	99.7	65.9	16.90	11/16	5/8		
SEU-8	1/2	-		106.0	60.3	22.85	7/8	13/16		
SEU-10M	10mm	-		101.5	67.3	17.20	19mm	18mm	22mm	22mm
SEU-12M	12mm	-		106.3	60.4	22.95	22mm			
SEU-6-4N	3/8	Male 1/4		94.5	-	16.90	11/16	5/8	7/8	13/16

MAKGIL VIETNAM



27 Noksansandan361-ro, Gangseo-gu
(Songjeong-dong), Busan, Korea
Tel : +82-51-899-6700, Fax : +82-51-899-6799
E-Mail : overseas@ehansun.co.kr
sales@ehansun.co.kr
Website : www.ehansun.co.kr, www.slok.co.kr