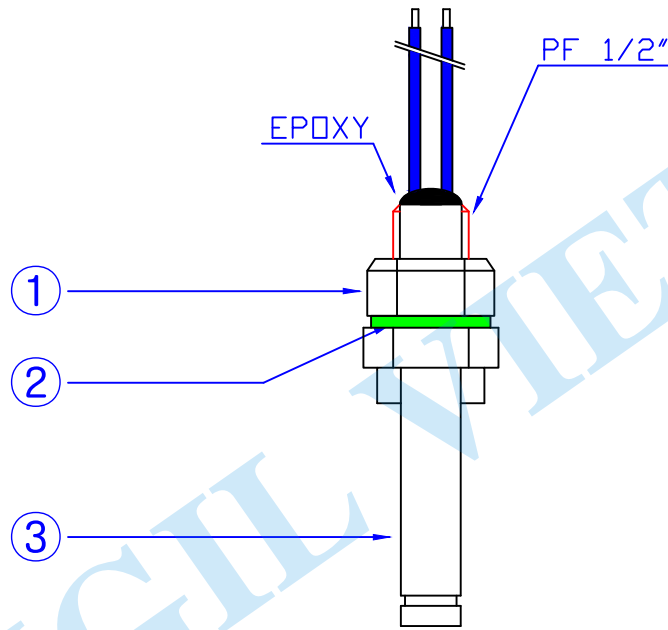


REVI NO.	REVISION NOTE	DATE	SIGNATURE	NOTE
△				
△				



3	STEM	P.P		1	
2	O-RING	SILICON		1	
1	NUT	P.P		1	
NO	품명	재질	규격	수량	비고.

 DAEHAN SENSOR CO., LTD TEL. 02-2213-9888 FAX. 02-2245-3482 www.dh34.com			TITLE. Capacitance type Level Switch		
			MODEL. DC-103		
			도번. DH-180226		
DRAWING BY	CHECKED BY	APPROVED BY	FILENAME	DATE	SCALE
Y.S.J	P.S.H	P.J.H	가공발주도면	2018.02.26	-
2018.02.26	2018.02.26	2018.02.26			